



SMARTsemi™

SMARTsemi

Memory Card Datasheet

Industrial Grade microSD™ Card

September 2024

Rev 1.3

Doc: DS822

REVISION HISTORY

Date	Revision	Section(s)	Description
September 2023	0.1	All	Preliminary Release
November 2023	1.0	All	Initial Release
February 2024	1.1	1.3	Added CE/FCC/RCM compliance
June 2024	1.2	All	Added 16GB Density
September 2024	1.3	All	Added 32GB Density



ESD Caution – Handling

Static electricity may be discharged through this disk subsystem. In extreme cases, this may temporarily interrupt the operation or damage components. To prevent this, make sure you are working in an ESD-safe environment. For example, before handling the disk subsystem, touch a grounded device, such as a computer case, prior to handling.

© 2024 SMARTsemi™. All rights reserved.

TABLE OF CONTENTS

1	GENERAL DESCRIPTION	6
1.1	Overview	6
1.2	Features.....	7
1.3	Unique Features.....	8
2	OPERATIONAL CHARACTERISTICS	9
2.1	Performance	9
2.2	Power Consumption.....	9
2.3	Data Retention	9
2.4	Environmental Conditions	10
2.5	Physical Characteristics	10
3	PRODUCT DESCRIPTION	11
3.1	Functional Block Diagram	11
4	MECHANICAL SPECIFICATIONS	12
4.1	Mechanical Dimensions	12
5	ELECTRICAL SPECIFICATION	13
5.1	Electrical Interface.....	13
5.2	Absolute Maximum Ratings.....	14
6	DC CHARACTERISTICS	15
6.1	Bus Operation Conditions for 3.3V Signaling.....	15
6.2	Bus Operation Conditions for 1.8V Signaling.....	15
6.3	microSD Memory Card Hardware Interface.....	16
6.4	Bus Signal Line Loading (Recommended)	16
7	AC CHARACTERISTICS	17
7.1	Interface Timing (Default Speed Mode).....	17
7.2	Interface Timing (High Speed Mode).....	19
7.3	Interface Timing (SDR12, SDR25, SDR50, and SDR104 Modes)	20
7.4	Interface Timing (DDR50 Mode).....	22
8	REGISTERS	24
8.1	Card Identification Register (CID).....	24
8.2	Relative Card Address (RCA).....	24
8.3	Card Specific Data (CSD)	25
8.4	SD Configuration Register (SCR).....	26
8.5	Operation Condition Register (OCR)	27
8.6	SD Status Register.....	28
9	PART NUMBERS	29
9.1	Part Number Decoder	30

LIST OF FIGURES

Figure 1: microSD Block Diagram	11
Figure 2: microSD Dimensions – (in mm).....	12
Figure 3. Pinout Assignments	13
Figure 4: Bus Circuitry Diagram	16
Figure 5: Bus Signal Level.....	17
Figure 6: Card Input Timing (Default Speed Mode).....	17
Figure 7: Card Output Timing (Default Mode)	18
Figure 8: Input Timing (High Speed Mode)	19
Figure 9: Input Clock Signal Timing	20
Figure 10: Card Input Timing (SDR50 and SDR104)	21
Figure 11: Output Timing - Fixed Data Window (SDR12, SD25 and SDR50).....	21
Figure 12: Output Timing - Variable Window (SDR104)	22
Figure 13: Interface Timing (DDR50 Mode)	22
Figure 14: DAT Inputs/Outputs Referenced to CLK in DDR50 Mode	23

LIST OF TABLES

Table 1: Performance Table.....	9
Table 2: Current Consumption	9
Table 3: Reliability and Endurance.....	9
Table 4: Environmental Conditions and Test Conditions	10
Table 5: Physical Characteristics	10
Table 6: Pinout Assignments and Pin Types.....	13
Table 7: Absolute Maximum Ratings ⁽¹⁾	14
Table 8: Threshold Level for High Voltage Range.....	15
Table 9: Peak Voltage and Leakage Current	15
Table 10: Threshold Level for 1.8 V Signaling.....	15
Table 11: Input Leakage Current for 1.8V Signaling.....	15
Table 12: Bus Signal Line Loading (Recommended).....	16
Table 13: Bus Timing (Default Speed Mode)	18
Table 14: Bus Timing (High Speed)	20
Table 15: Bus Timings – Parameters Values (DDR50 Mode).....	23
Table 16: Supported SD Registers.....	24
Table 17: Card Identification Register (CID) Fields	24
Table 18: Card Specific Data (CSD) Fields	25
Table 19: SD Configuration Register (SCR) Fields	26
Table 20: Operation Condition Register (OCR) Fields.....	27
Table 21: SD Status Register (SSR) Fields.....	28
Table 22: Part Numbering Information	29

1 GENERAL DESCRIPTION

1.1 Overview

SMARTsemi's microSD Memory Card product is specifically target at the needs of OEM markets such as networking, telecommunications and data communications. SMARTsemi's microSD products are also a natural fit for mobile and embedded computing, medical, automotive and industrial applications.

SMARTsemi's microSD products offer reliable, high performance operation in an industry standard ultrasonic welded SD housing. They are available in 16GB to 64 GB capacity.

Incorporating on-board error detection and correction algorithms and static and dynamic wear leveling techniques insure SMARTsemi's microSD products provide years of reliable operation.

SMARTsemi has built its foundation by providing proven technology and quality products to the most demanding Fortune 100 OEMs. SMARTsemi engineers its products to perform at the highest degree of reliability & compatibility while backing these products with outstanding services and technology expertise.

1.2 Features

- **Form Factor:** microSD Memory card
- **Capacity:**
 - pSLC: 16GB
 - TLC: 32GB
 - TLC: 64GB
- **NAND Flash:** 3D TLC
- **Performance:**
 - Sequential Read: Up to 100MB/s
 - Sequential Write: Up to 85MB/s
- **The command list supports s [Part 1 Physical Layer Specification Ver6.10 Final] definitions**
- **Supports SD SPI Mode**
- **Support File system specification version 3.0**
- **Supported Bus Speed Modes (using x4 bus width)**
 - **SDR12:** 1.8 V signaling, up to 25 MHz, up to 12.5 MB/s
 - **SDR25:** 1.8 V signaling, up to 50 MHz, up to 25 MB/s
 - **SDR50:** 1.8 V signaling, up to 100 MHz, up to 50 MB/s
 - **SDR104:** 1.8 V signaling, up to 208 MHz, up to 104 MB/s
 - **DDR50:** 1.8 V signaling, up to 50 MHz, up to 50 MB/s

NOTE: Timing varies between 1.8V and 3.3V signaling
- **Operating Temperature:**
 - Industrial: -40°C to +85°C
- **Input Power:** 2.7 V – 3.6 V
- **Dimensions:** 11 mm(L) x 15 mm(W) x 1 mm(H)

1.3 Unique Features

- Implements Static and Dynamic Wear Leveling for longer life
- Device health information (endurance life ratio and good block ratio) is available via specific utility (Application Note available upon request)
- Copyright Protection Mechanism: compliant to the highest security of SDMI Standard
- Supports CPRM (Content Protection for Recordable Media) for recorded content (optional)
- Password Protection of cards (optional)
- Built-in write protection features (permanent and temporary)
- RoHS compliant

2 OPERATIONAL CHARACTERISTICS

All listed values are typical unless otherwise stated.

2.1 Performance

Table 1: Performance Table

Drive	Configuration	Sequential Read (MB/s)	Sequential Write (MB/s)
16GB	SDR104 (UHS-I, 1.8V, 208MHz)	100	85
32GB		95	50
64GB		95	50

Note: Performance measured using Testmetrix VTE-4100.

2.2 Power Consumption

Table 2: Current Consumption

Parameter	16GB	32GB	64GB	Unit
Read Current	100	95	95	mA
Write Current	105	80	80	mA
Idle Current	1000	1000	1000	µA

Note: Current measured using Testmetrix VTE-4100, SDR104 mode.

2.3 Data Retention

Table 3: Reliability and Endurance

Item	Value
Mean Time Between Failures (MTBF) (@ 25°C)	> 3 Million hours
Data Reliability	< 1 Non-Recoverable Error in 10 ¹⁴ bits read
Data Retention (@ 40°C)	10 years > 90% life remaining
	1 year < 10% life remaining
Endurance ⁽¹⁾	16GB 460 TBW
	32GB 183 TBW
	64GB 183 TBW

(1) Sequential write.

- **Static & Dynamic Wear Leveling:** This feature eliminates overstressing Flash media by spreading the data writes across all Flash physical address space, including logical areas that are not written by the user. The data is wear leveled across the entire drive.
- **ECC:** To detect and correct errors occur during Read process, ensure data been read correctly. As well as protect data from corruption.
- **Bad Block Management:** This feature tracks all manufacturing and run-time bad blocks of Flash media and replaces them with new ones from the spare pool.

2.4 Environmental Conditions

Table 4: Environmental Conditions and Test Conditions

Parameter	Value
Operating Temperature – Industrial Grade	-40°C to 85°C
Storage Temperature	-40°C to 85°C

2.5 Physical Characteristics

Table 5: Physical Characteristics

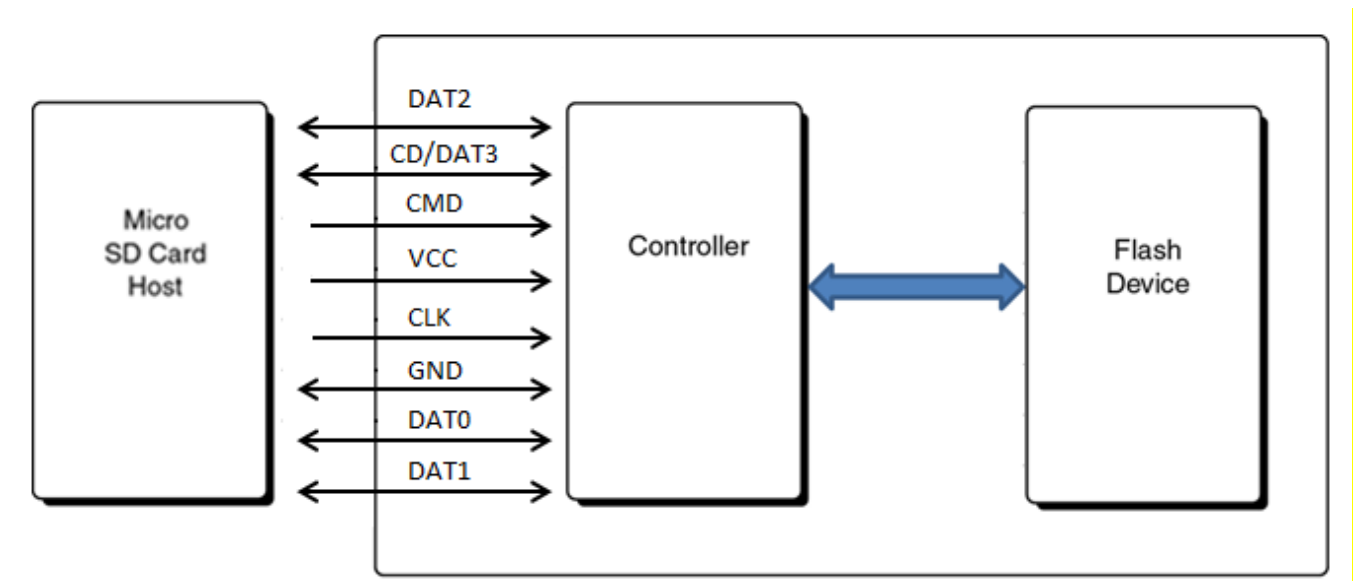
Parameter	Value
Length	11.0 mm
Width	15.0 mm
Height	1.0 mm
Weight (max)	0.25 g

3 PRODUCT DESCRIPTION

SMARTsemi's microSD Memory Card product line is offered with an advanced connector. It contains a controller and at least one Flash memory device. The on-board controller interfaces with a microSD Card Host allowing data to be written to and read from the Flash memory device(s).

3.1 Functional Block Diagram

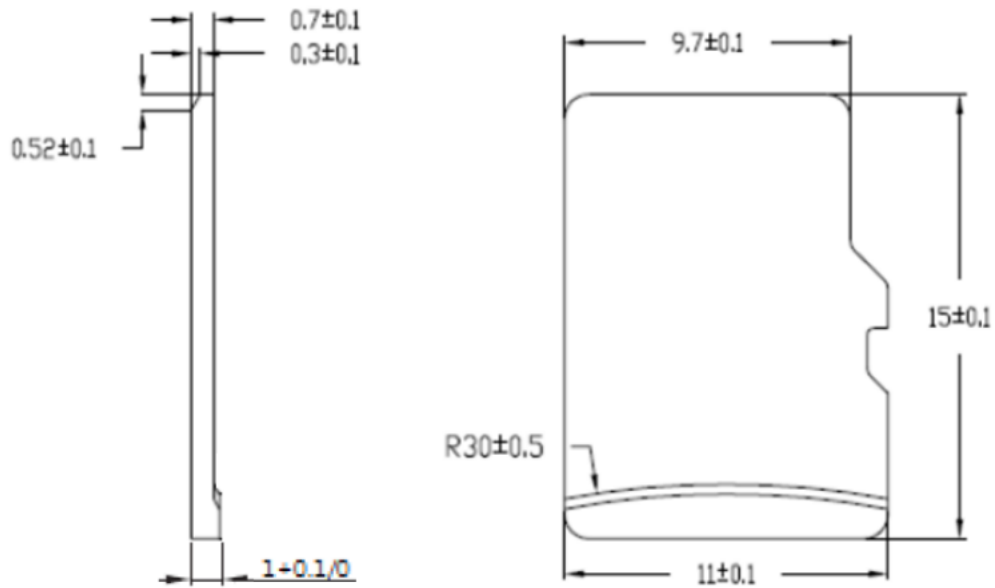
Figure 1: microSD Block Diagram



4 MECHANICAL SPECIFICATIONS

4.1 Mechanical Dimensions

Figure 2: microSD Dimensions – (in mm)



5 ELECTRICAL SPECIFICATION

5.1 Electrical Interface

The SMARTsemi microSD Memory Cards are fully compliant with the SD specification (v6.1). The following table describes the I/O signals of the card. Signals whose source is the Host are designated as inputs (I), while signals that the microSD Card sources are outputs (O). Bi-directional signals are designated as Input/output (I/O).

Figure 3. Pinout Assignments

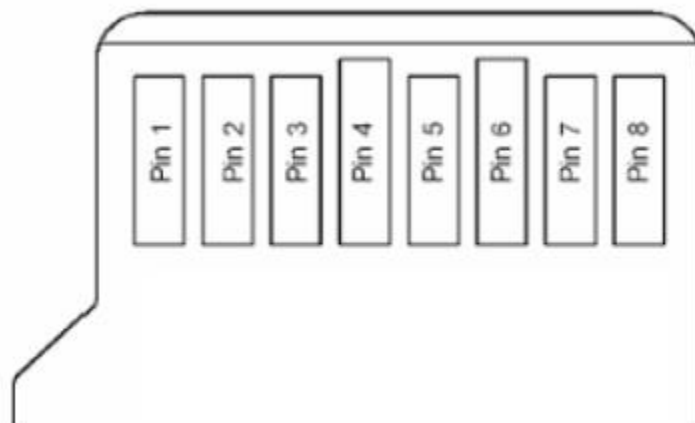


Table 6: Pinout Assignments and Pin Types

Pin	Signal Name	Signal Type ⁽¹⁾	Signal Description
1	DAT2	I/O,PP	SD Interface Bus [2]
2	DAT3 ⁽²⁾	I/O,PP ⁽³⁾	SD Interface Bus [3]
3	CMD	I/O,PP	Command/Response
4	VDD	S	Power Supply for SD Interface
5	CLK	I	Clock Input
6	VSS2	S	Ground
7	DAT0	I/O,PP	SD Interface Bus [0]
8	DAT1	I/O,PP	SD Interface Bus [1]

1. Type Key: S=power supply; I=input; O=output using push-pull drivers; PP=I/O using push-pull drivers
2. The extended DAT lines (DAT1-DAT3) are input on power up. They start to operate as DAT lines after SET_BUS_WIDTH command. The Host shall keep its own DAT1-DAT3 lines in input mode as well while they are not used. It is defined so in order to keep compatibility to MultiMedia Cards.
3. At power up, this line has a 50KOhm pull up enabled in the card. This resistor serves two functions: Card detection and Mode Selection. For Mode Selection, the host can drive the line high or let it be pulled high to select SD mode. If the host wants to select SPI mode, it should drive the line low. For Card detection, the host detects that the line is pulled high. This pull-up should be disconnected by the user during regular data transfer with SET_CLR_CARD_DETECT (ACMD42) command.

5.2 Absolute Maximum Ratings

Table 7: Absolute Maximum Ratings ⁽¹⁾

Parameter	Minimum Value	Maximum Value	Unit
3.3 V Supply Voltage	-0.3	3.6	V
3.3 V Input Voltage	GND - 0.3	VCC + 0.3	V
Operating Current	-	800	mA
Operating Temperature – (Industrial)	-40	+85	°C
Storage Temperature – (Industrial)	-40	+85	°C

⁽¹⁾ Stress beyond the Absolute Maximum Rating conditions may result in permanent damage to the device. These are stress ratings only and functional operation should be restricted to those indicated in the operational sections of this specification. Exposure to conditions beyond recommended, up to and including the Absolute Maximum Rating conditions, for extended periods may affect device reliability.

6 DC CHARACTERISTICS

6.1 Bus Operation Conditions for 3.3V Signaling

Table 8: Threshold Level for High Voltage Range

Parameter	Symbol	Min.	Max	Unit	Condition
Supply Voltage	V _{DD}	2.7	3.6	V	
Output High Voltage	V _{OH}	0.75*V _{DD}		V	I _{OH} =-2mA V _{DD} Min
Output Low Voltage	V _{OL}		0.125*V _{DD}	V	I _{OL} =2mA V _{DD} Min
Input High Voltage	V _{IH}	0.625*V _{DD}	V _{DD} +0.3	V	
Input Low Voltage	V _{IL}	V _{SS} -0.3	0.25*V _{DD}	V	
Power Up Time			250	ms	From 0V to V _{DD} min

Table 9: Peak Voltage and Leakage Current

Parameter	Min.	Max	Unit
Peak voltage on all lines	-0.3	V _{DD} +0.3	V
All Inputs			
Input Leakage Current	-10	10	μA
All Outputs			
Output Leakage Current	-10	10	μA

6.2 Bus Operation Conditions for 1.8V Signaling

Table 10: Threshold Level for 1.8 V Signaling

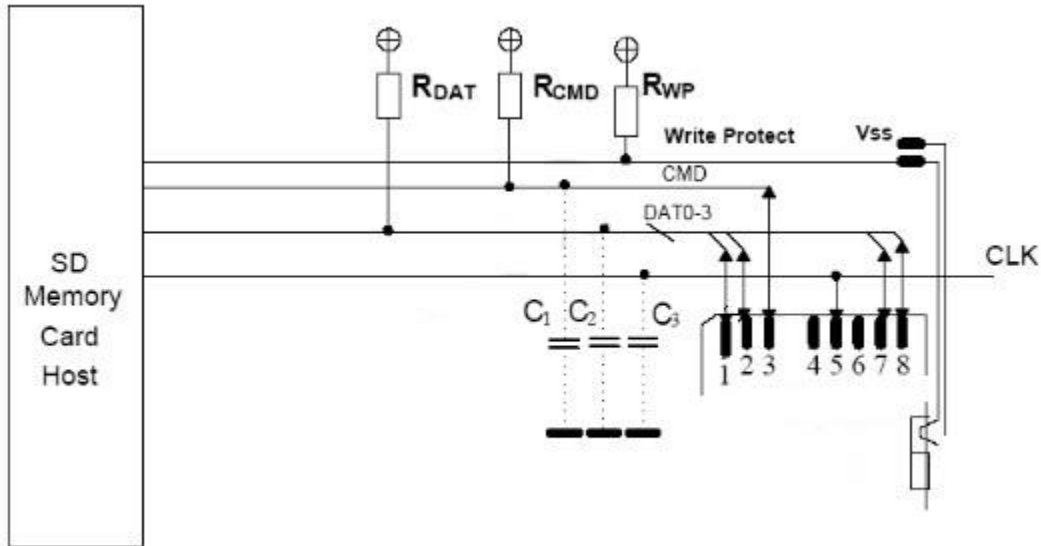
Parameter	Symbol	Min.	Max	Unit	Condition
Supply Voltage	V _{DD}	2.7	3.6	V	
Supply Voltage	V _{DDIO}	1.7	1.95	V	Generated by V _{DD}
Output High Voltage	V _{OH}	1.4		V	I _{OH} =-2mA
Output Low Voltage	V _{OL}		0.45	V	I _{OL} =2mA
Input High Voltage	V _{IH}	1.27	2.00	V	
Input Low Voltage	V _{IL}	V _{SS} -0.3	0.58	V	

Table 11: Input Leakage Current for 1.8V Signaling

Parameter	Min.	Max	Unit	Remarks
Input Leakage Current	-2	2	μA	DAT3 pull-up is disconnected.

6.3 microSD Memory Card Hardware Interface

Figure 4: Bus Circuitry Diagram



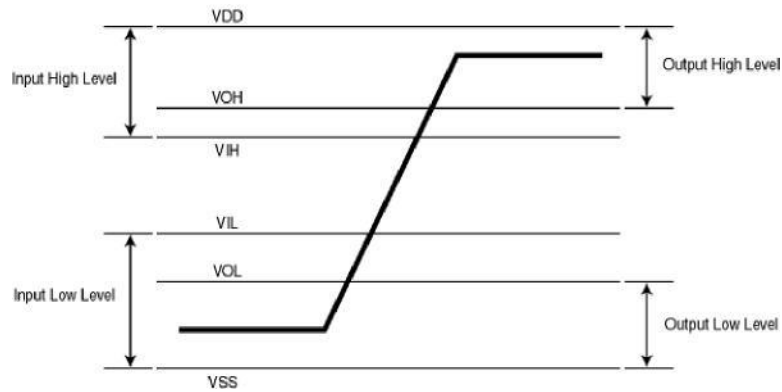
6.4 Bus Signal Line Loading (Recommended)

Table 12: Bus Signal Line Loading (Recommended)

Symbol	Parameter	Min	Max	Units	Remark
R_{CMD}	Pull-up Resistor for CMD Signal	10	100	k Ω	to prevent bus floating
R_{DAT}	Pull-up Resistor for DAT Signals	10	100	k Ω	to prevent bus floating
C_L	Total bus capacitance for each signal line		40	pF	1 card $C_{HOST}+C_{BUS}$ shall not exceed 30 pF
C_{CARD}	Card Capacitance for each signal pin		10	pF	
-	Maximum signal line inductance		16	nH	
R_{DAT3}	Pull-up resistance inside card	10	90	k Ω	May be used for card detection
C_C	Capacity Connected to Power Line		5	μ F	To prevent inrush current

7 AC CHARACTERISTICS

Figure 5: Bus Signal Level



7.1 Interface Timing (Default Speed Mode)

Figure 6: Card Input Timing (Default Speed Mode)

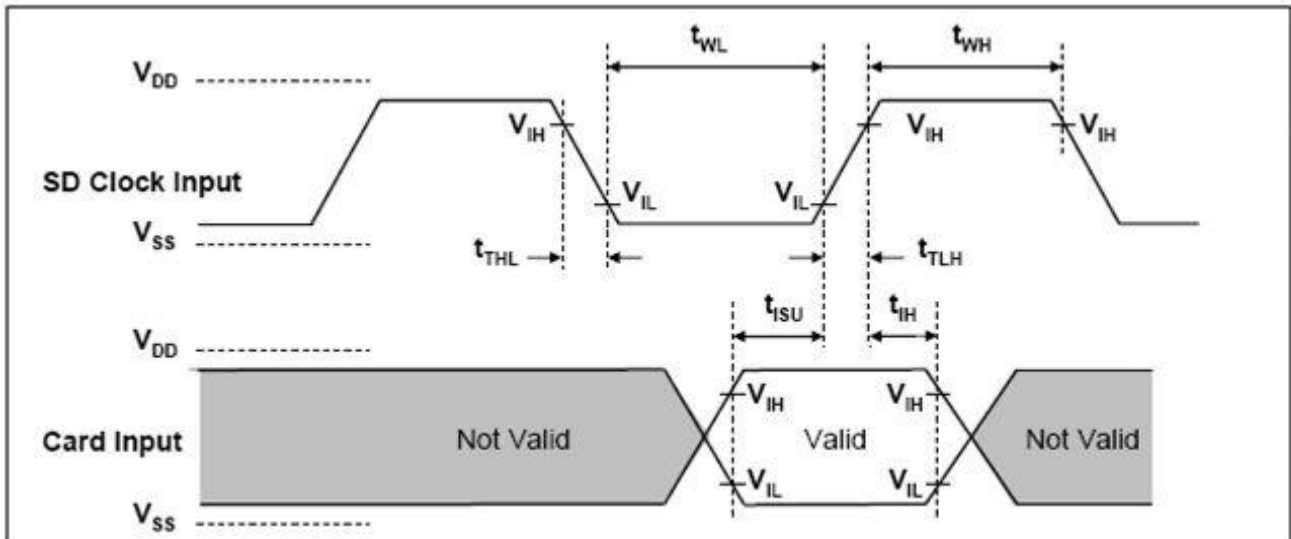
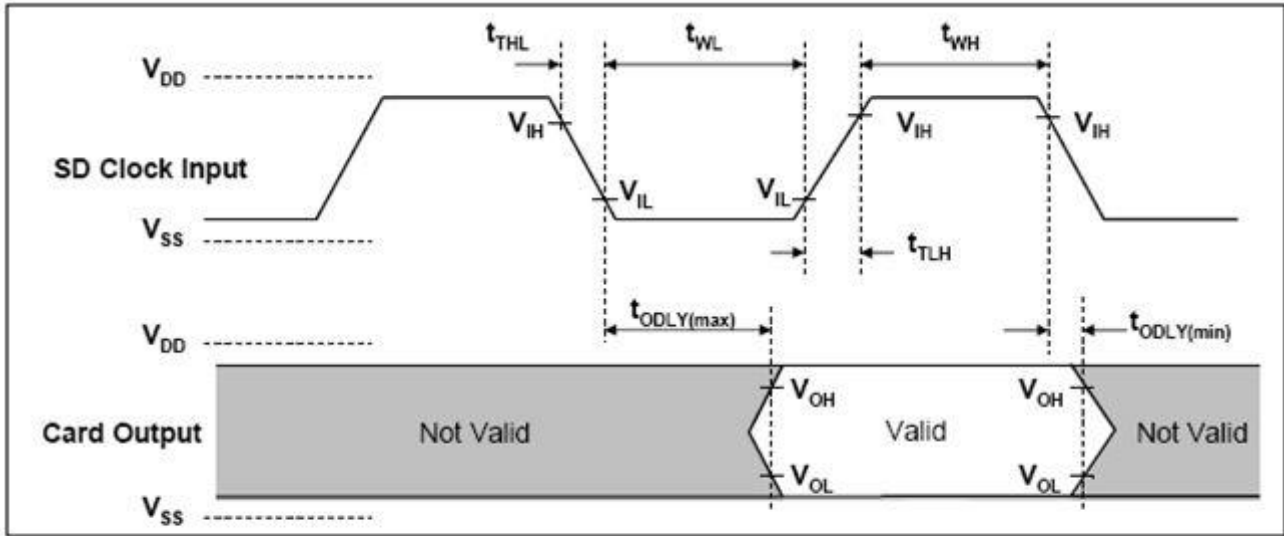


Figure 7: Card Output Timing (Default Mode)

Table 13: Bus Timing (Default Speed Mode)

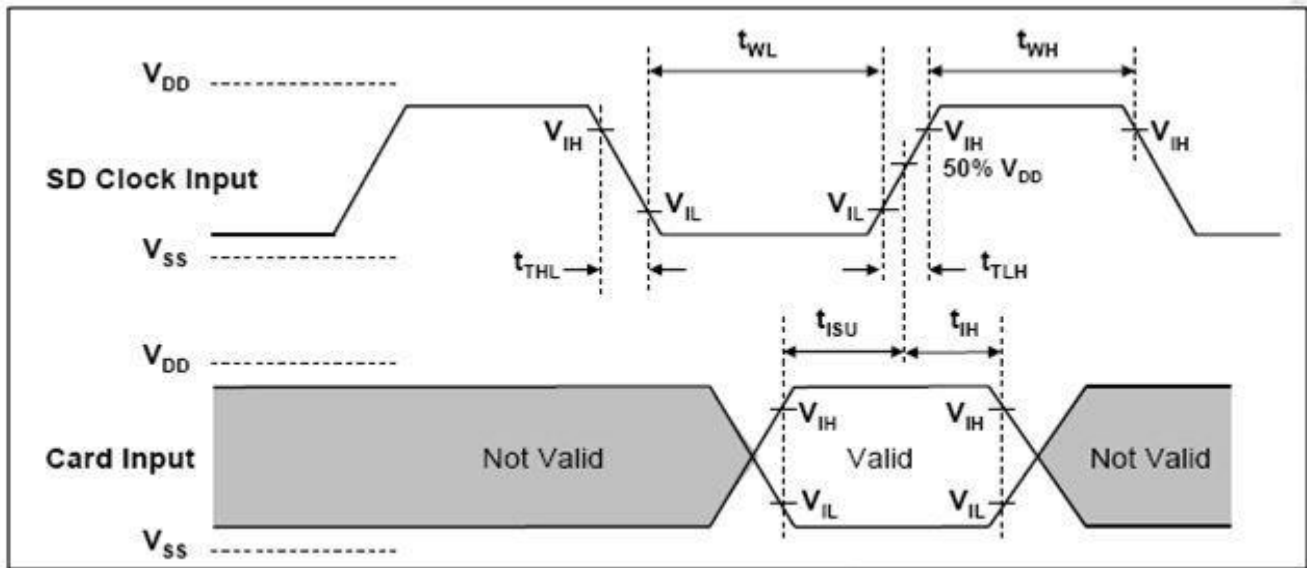
Symbol	Parameter	Min	Max	Unit	Remark ⁽¹⁾
Clock CLK (All values are referred to min(V_{IH}) and max(V_{IL}))					
f _{PP}	Clock frequency data transfer mode	0	25	MHz	C _{card} ≤ 10 pF
f _{OD}	Clock frequency Identification Mode	0 ⁽²⁾ /100	400	kHz	
t _{WL}	Clock low time	10		ns	C _{card} ≤ 10 pF
t _{WH}	Clock high time	10		ns	C _{card} ≤ 10 pF
t _{TLH}	Clock rise time		10	ns	C _{card} ≤ 10 pF
t _{THL}	Clock fall time		10	ns	C _{card} ≤ 10 pF
Inputs CMD, DAT (referenced to CLK)					
t _{ISU}	Input setup time	5		ns	C _{card} ≤ 10 pF
t _{IH}	Input hold time	5		ns	C _{card} ≤ 10 pF
Outputs CMD, DAT (referenced to CLK)					
t _{ODLY}	Output delay time during Data Transfer Mode	0	14	ns	C _L ≤ 40 pF
t _{ODLY}	Output delay time during Data Identification mode	0	50	ns	C _L ≤ 40 pF

1. Values are for 1 card.

2. 0Hz means to stop the clock. The given minimum frequency range is for cases where continuous clock is required.

7.2 Interface Timing (High Speed Mode)

Figure 8: Input Timing (High Speed Mode)



Output Timing (High Speed Mode)

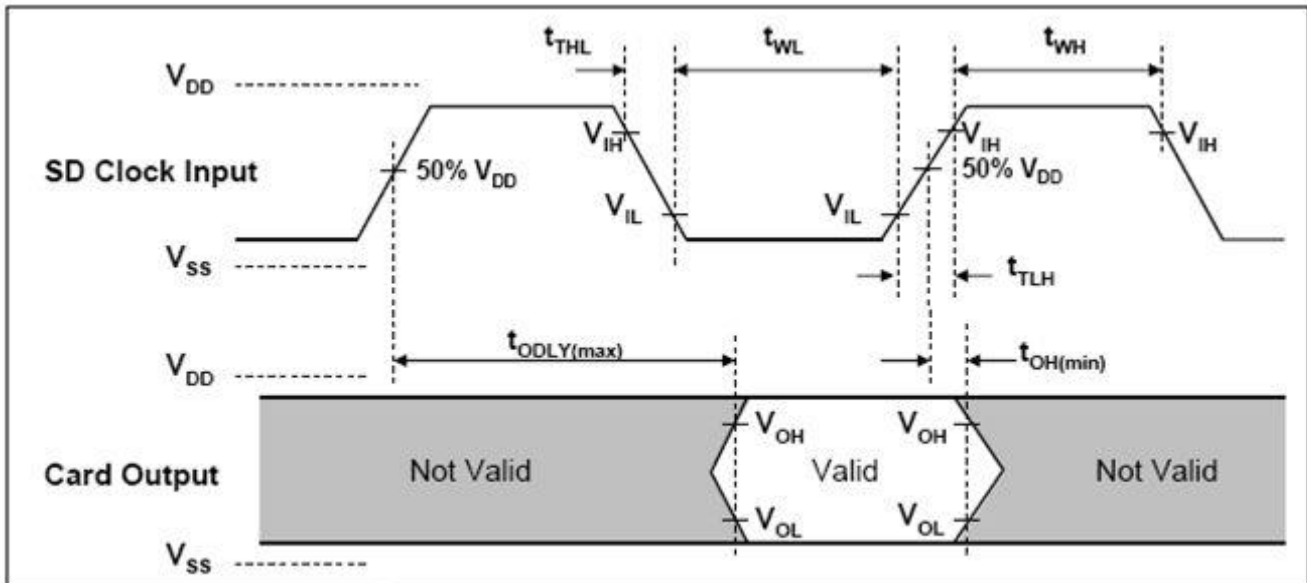
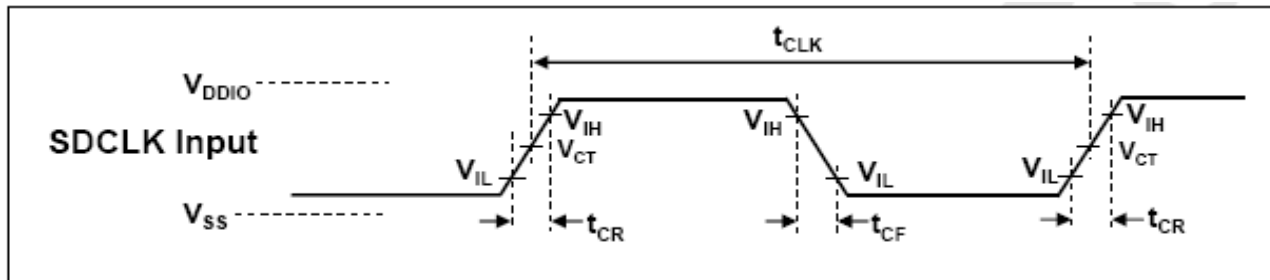


Table 14: Bus Timing (High Speed)

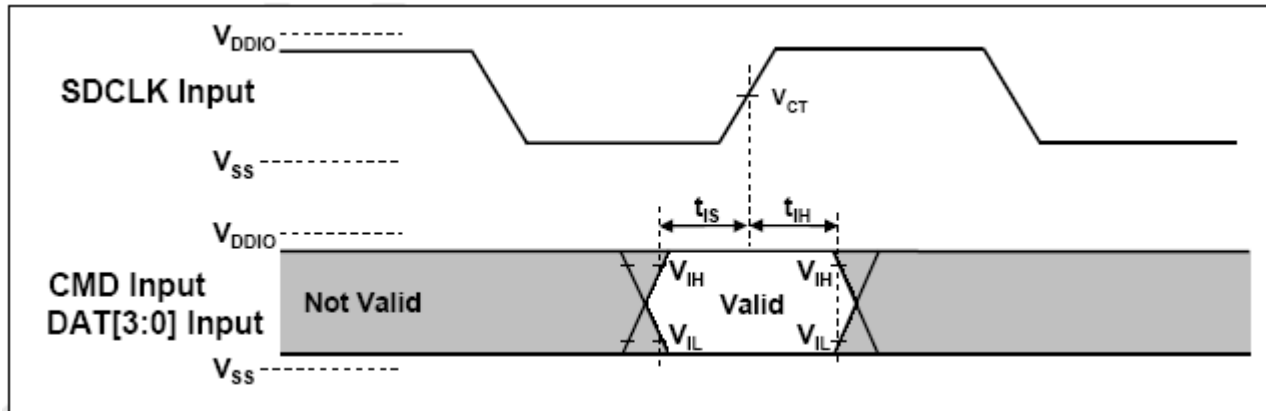
Symbol	Parameter	Min	Max	Unit	Remark ⁽¹⁾
Clock CLK (All values are referred to min(V_{IH}) and max(V_{IL}))					
f _{PP}	Clock frequency data transfer mode	0	50	MHz	C _{card} ≤ 10 pF
t _{WL}	Clock low time	7	-	ns	C _{card} ≤ 10 pF
t _{WH}	Clock high time	7	-	ns	C _{card} ≤ 10 pF
t _{TLH}	Clock rise time	-	3	ns	C _{card} ≤ 10 pF
t _{THL}	Clock fall time	-	3	ns	C _{card} ≤ 10 pF
Inputs CMD, DAT (referenced to CLK)					
t _{ISU}	Input setup time	6	-	ns	C _{card} ≤ 10 pF
t _{IH}	Input hold time	2	-	ns	C _{card} ≤ 10 pF
Outputs CMD, DAT (referenced to CLK)					
t _{ODLY}	Output delay time during Data Transfer Mode	-	14	ns	C _L ≤ 40 pF
t _{OH}	Output Hold Time	2.5	-	ns	C _L ≤ 15 pF
c _L	Total System Capacitance of each line	-	40	pF	C _L ≤ 15 pF

1. In order to satisfy server timing, host shall drive only one card.

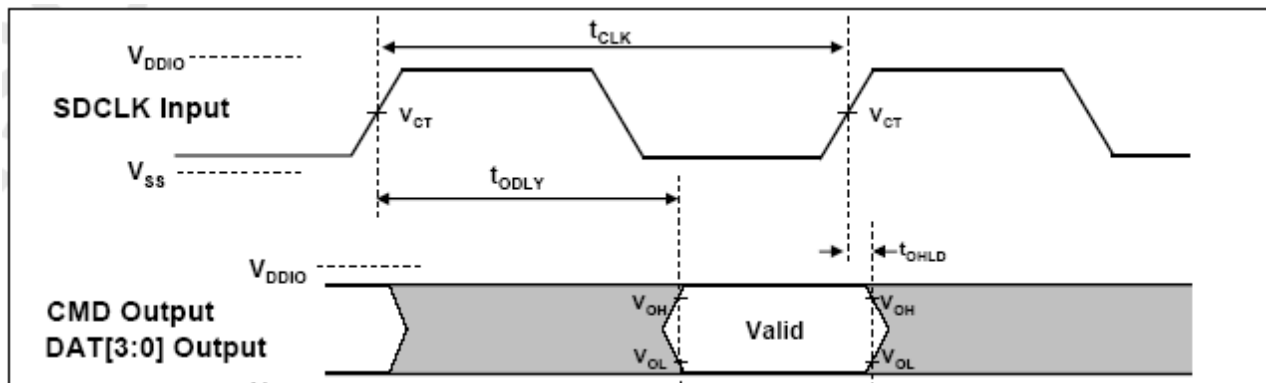
7.3 Interface Timing (SDR12, SDR25, SDR50, and SDR104 Modes)

Figure 9: Input Clock Signal Timing


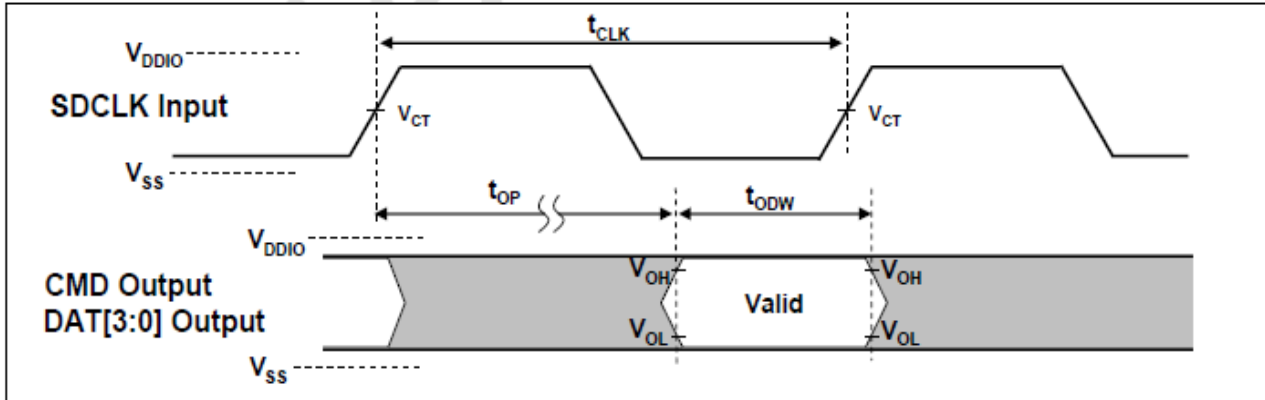
Symbol	Min	Max	Unit	Remark
t _{CLK}	4.80	-	ns	208MHz (Max), Between rising edge, V _{CT} = 0.975V
t _{CR} , t _{CF}	-	0.2 * t _{CLK}	ns	t _{CR} , t _{CF} < 0.96ns (max.) at 208MHz, C _{CARD} = 10pF t _{CR} , t _{CF} < 2.00ns (max.) at 100MHz, C _{CARD} = 10pF The absolute maximum value of t _{CR} , t _{CF} is 10ns regardless of clock frequency
Clock Duty	30	70	%	

Figure 10: Card Input Timing (SDR50 and SDR104)


Symbol	Min	Max	Unit	SDR104 mode
t_{IS}	1.40	-	ns	$C_{CARD} = 10\text{pF}, V_{CT} = 0.975\text{V}$
t_{IH}	0.80	-	ns	$C_{CARD} = 5\text{pF}, V_{CT} = 0.975\text{V}$
Symbol	Min	Max	Unit	SDR50 mode
t_{IS}	3.00	-	ns	$C_{CARD} = 10\text{pF}, V_{CT} = 0.975\text{V}$
t_{IH}	0.80	-	ns	$C_{CARD} = 5\text{pF}, V_{CT} = 0.975\text{V}$

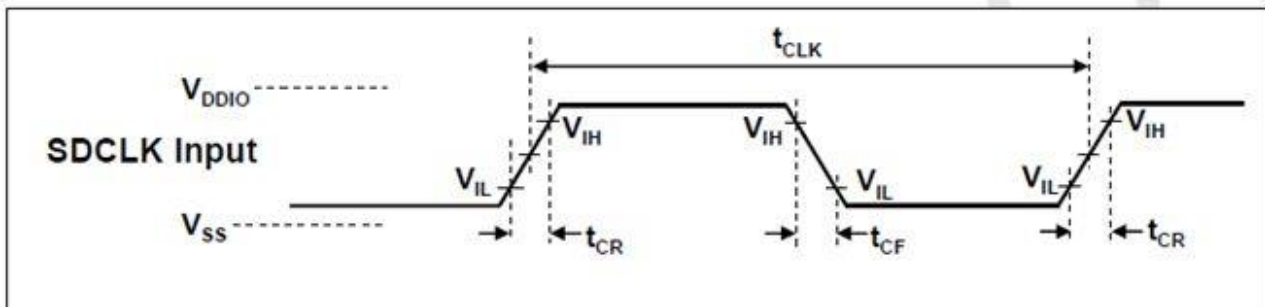
Figure 11: Output Timing - Fixed Data Window (SDR12, SD25 and SDR50)


Symbol	Min	Max	Unit	Remark
t_{ODLY}	-	7.5	ns	$t_{CLK} \geq 10.0\text{ns}$, $C_L = 30\text{pF}$, using driver Type B, for SDR50
t_{ODLY}	-	14	ns	$t_{CLK} \geq 20.0\text{ns}$, $C_L = 40\text{pF}$, using driver Type B, for SDR25 and SDR12,
t_{OH}	1.5	-	ns	Hold time at the t_{ODLY} (min.), $C_L = 15\text{pF}$

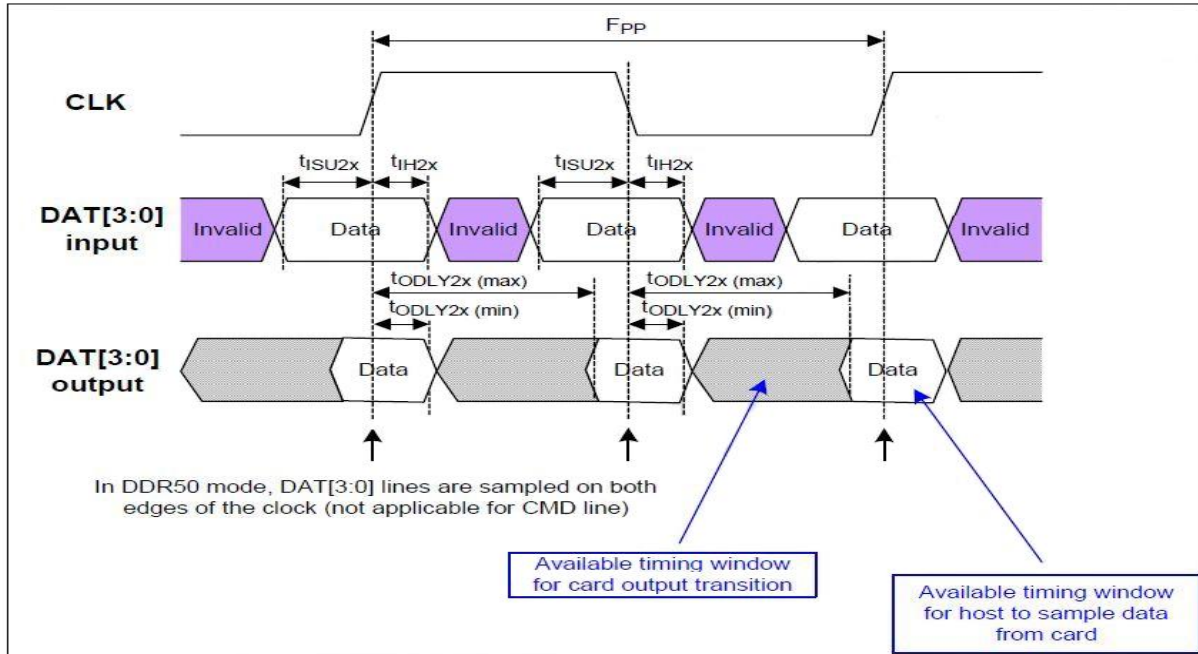
Figure 12: Output Timing - Variable Window (SDR104)


Symbol	Min	Max	Unit	Remark
t_{OP}	0	2	UI	Card Output Phase
Δt_{OP}	-350	+1550	ps	Delay variation due to temperature change after tuning
t_{ODW}	0.60	-	UI	$t_{ODW} = 2.88\text{ns}$ at 208MHz

7.4 Interface Timing (DDR50 Mode)

Figure 13: Interface Timing (DDR50 Mode)


Symbol	Min	Max	Unit	Remark
t_{CLK}	20	-	ns	50MHz (Max) Between rising edge
t_{CR}, t_{CF}	-	$0.2 * t_{CLK}$	ns	$t_{CR}, t_{CF} < 4.00\text{ns}$ (Max) at 50MHz, $C_{CARD} = 10\text{pF}$
Clock Duty	45	55	%	

Figure 14: DAT Inputs/Outputs Referenced to CLK in DDR50 Mode

Table 15: Bus Timings – Parameters Values (DDR50 Mode)

Parameter	Symbol	Min	Max	Unit	Remark
Input CMD (referenced to CLK rising edge)					
Input set-up time	t_{ISU}	3	-	ns	$C_{card} \leq 10$ pF (1 card)
Input hold time	t_{IH}	0.8	-	ns	$C_{card} \leq 10$ pF (1 card)
Output CMD (referenced to CLK rising edge)					
Output Delay time during Data Transfer Mode	t_{ODLY}	-	13.7	ns	$C_L \leq 30$ pF (1 card)
Output Hold time	t_{OH}	1.5	-	ns	$C_L \geq 15$ pF (1 card)
Inputs DAT (referenced to CLK rising and falling edges)					
Input set-up time	t_{ISU2x}	3	-	ns	$C_{card} \leq 10$ pF (1 card)
Input hold time	t_{IH2x}	0.8	-	ns	$C_{card} \leq 10$ pF (1 card)
Outputs DAT (referenced to CLK rising and falling edges)					
Output Delay time during Data Transfer Mode	t_{ODLY2x}	-	7.0	ns	$C_L \leq 25$ pF (1 card)
Output Hold time	t_{OH2x}	1.5	-	ns	$C_L \geq 15$ pF (1 card)

8 REGISTERS

The registers used in the SMART microSD cards are shown in the table below. These registers are described in the sections that follow.

Table 16: Supported SD Registers

Name	Width	Description
CID	128	Card Identification
RCA	16	Relative Card Address
CSD	128	Card Specific Data
SCR	64	SD Configuration Register
OCR	32	Operation Condition Register
SSR	512	SD Status Register

8.1 Card Identification Register (CID)

The Card Identification (CID) register is 128 bits wide. It contains the information used during the card identification phase. Every individual Flash card will have a unique identification number. The fields for the CID register are presented in the following table.

Table 17: Card Identification Register (CID) Fields

Bits	Width	Name	Field	Value
				Industrial
[127:120]	8	Manufacturer ID	MID	27h
[119:104]	16	OEM/Application ID	OID	5048h
[103:64]	40	Product Name	PNM	SD16G
				SD32G
				SD64G
[63:56]	8	Product Revision	PRV	6.0(60h)
[55:24]	32	Product Serial Number	PSN ⁽¹⁾	--
[23:20]	4	Reserved	--	--
[19:8]	12	Manufacturing Date	MDT ⁽¹⁾	--
[7:1]	7	CRC7 checksum	CRC	--
[0]	1	Not used, always 1	-	1b

⁽¹⁾ The value is defined by the default setting.

8.2 Relative Card Address (RCA)

The Relative Card Address (RCA) register is 16 bits wide. It contains the card address assigned by the host during the card identification. This address is used for the addressed host-card communication after the identification procedure. The default value of the RCA register is 0x0000.

8.3 Card Specific Data (CSD)

The Card Specific Data (CSD) register is 128 bits wide. It provides information on how to access the card contents. The fields for the CSD register are presented in the following table.

Table 18: Card Specific Data (CSD) Fields

Bits	Width	Name	Field	Value
[127:126]	2	CSD structure	CSD_STRUCTURE	1h
[125:120]	6	Reserved	--	--
[119:112]	8	Data read access time 1	TAAC	0Eh
[111:104]	8	Data read access time 2	NSAC	00h
[103:96]	8	Max. bus clock frequency	TRAN_SPEED ⁽¹⁾	Variable
[95:84]	12	Card command classes	CCC ⁽²⁾	5B5h
[83:80]	4	Max read block data length	READ_BLK_LEN ⁽³⁾	9h
[79]	1	Partial block read allowed	READ_BLK_PARTIAL	0h
[78]	1	Write block misalignment	WRITE_BLK_MISALIGN	0h
[77]	1	Read block misalignment	READ_BLK_MISALIGN	0h
[76]	1	DSR implemented	DSR_IMP	0h
[75:70]	6	Reserved	--	--
[69:48]	22	Device size	C_SIZE ⁽⁴⁾	7753h (16GB) EEE7h (32GB) 1CF9Fh (64GB)
[47]	1	Reserved	--	--
[46]	1	Erase single block enable	ERASE_BLK_EN	1h
[45:39]	7	Erase sector size	SECTOR_SIZE	7Fh
[38:32]	7	Write protect group size	WP_GRP_SIZE	0h
[31]	1	Write protect group enable	WP_GRP_ENABLE	0h
[30:29]	2	Reserved	--	--
[28:26]	3	Write speed factor	R2W_FACTOR	2h
[25:22]	4	Max write data block length	WRITE_BLK_LEN ⁽³⁾	9h
[21]	1	Partial block write allowed	WRITE_BLK_PARTIAL	0h
[20:16]	5	Reserved	---	--
[15]	1	File format group	FILE_FORMAT_GRP	0h
[14]	1	Copy Flag	COPY	0h
[13]	1	Permanent write protection	PERM_WRITE_PROTECT	0h
[12]	1	Temporary write protection	TMP_WRITE_PROTECT	0h
[11:10]	2	File Format	FILE_FORMAT	0h
[9:8]	2	Reserved	--	--
[7:1]	7	CRC	CRC	Variable
[0]	1	Not used, always '1'	--	1

- (1) The default value is 32h. The value depends on the Card Type and mode.
- (2) Support command class: 0, 2, 4, 5, 7, 8 and 10.(Including Basic, Block Read/Write, Erase, Lock Card, Application specific and switch. Not supported command class: 1, 3, 6 and 9 (Including Write-Protection, I/O mode).
- (3) This field is fixed to 9h, which indicates READ_BL_LEN / WRITE_BL_LEN = 512 Byte.
- (4) This field depends upon the Flash used with the controller.

8.4 SD Configuration Register (SCR)

The SD Configuration Register (SCR) is 64 bits wide. It is another configuration register. SCR provides information about the microSD card's special features that were configured into the given card. The fields for the SCR register are presented in the following table.

Table 19: SD Configuration Register (SCR) Fields

Bits	Width	Name	Field	Value
[63:60]	4	SCR structure	SCR_STRUCTURE	0h
[59:56]	4	SD card spec. version	SD_SPEC	2h
[55]	1	Data status after erase	DATA_STAT_AFTER_ERASE	0h
[54:52]	3	SD security support	SD_SECURITY	0h
[51:48]	4	DAT bus width support	SD_BUS_WIDTHS	5h
[47]	1	Spec. version 3.00 or higher	SD_SPEC3	1h
[46:43]	4	Extended Security Support	EX_SECURITY	0h
[42]	1	Spec. Version 4.00 or Higher	SD_SPEC4	1h
[41:38]	4	Spec. Version 5.00 or Higher	SD_SPECX	2h
[37:36]	9	Reserved	--	--
[35:32]	2	Command Support bits	CMD_SUPPORT	7h
[31:0]	32	Reserved	--	--

8.5 Operation Condition Register (OCR)

The Operation Condition Register (OCR) register is 32 bits wide. The fields for the OCR register are presented in the following table.

Table 20: Operation Condition Register (OCR) Fields

Bits	Width	VDD Voltage Window	Value (Binary)
[0:6]	7	Reserved	--
[7]	1	Reserved for Low Voltage Range	0
[8:14]	7	Reserved	--
[15]	1	2.7-2.8	1
[16]	1	2.8-2.9	1
[17]	1	2.9-3.0	1
[18]	1	3.0-3.1	1
[19]	1	3.1-3.2	1
[20]	1	3.2-3.3	1
[21]	1	3.3-3.4	1
[22]	1	3.4-3.5	1
[23]	1	3.5-3.6	1
[24]	1	Switching to 1.8V Accepted (S18A)	-- ⁽¹⁾
[25:29]	5	Reserved	--
[30]	1	Card Capacity Status (CCS)	-- ⁽²⁾
[31]	1	Card power up status bit	1 ⁽³⁾

⁽¹⁾ Only UHS-I card supports this bit.

⁽²⁾ This bit is valid only when the card power up status bit is set.

⁽³⁾ This bit is set to LOW if the card has not finished the power up routine.

8.6 SD Status Register

The SD Status Register (SSR) is 512 bits wide and provides information about the SD card's proprietary and may be used for application-specific usage. The fields for the SSR register are presented in the following table.

Table 21: SD Status Register (SSR) Fields

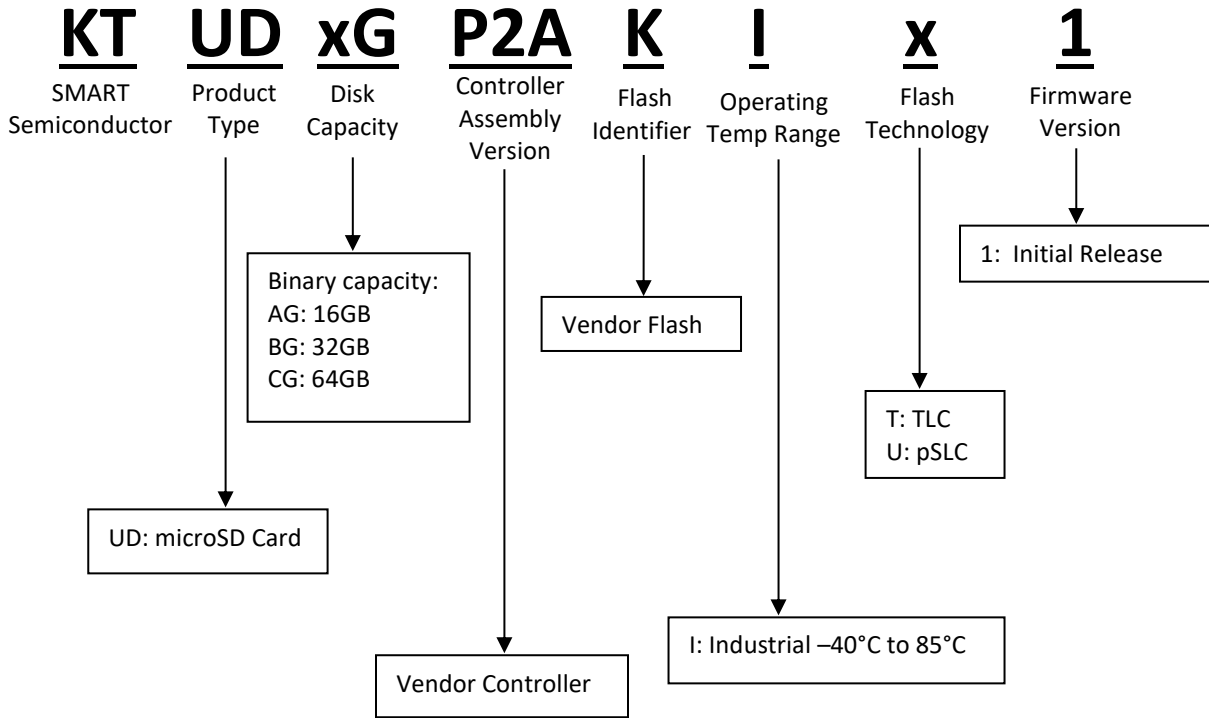
Bits	Width	Field	Value	
[511:510]	2	DAT_BUS_WIDTH	2h	
[509]	1	SECURED_MODE	0h	
[508:502]	7	Reserved for Security Functions	--	
[501:496]	6	Reserved	--	
[495:480]	16	SD_CARD_TYPE	0000h	
[479:448]	32	SIZE_OF_PROTECTED_AREA	16GB	4000000h
			32GB	5000000h
			64GB	8000000h
[447:440]	8	SPEED_CLASS	04h	
[439:432]	8	PERFORMANCE_MOVE	16GB	3h
			32GB	3h
			64GB	0h
[431:428]	4	AU_SIZE	09h	
[427:424]	4	Reserved	--	
[423:408]	16	ERASE_SIZE	16GB	100h
			32GB	1h
			64GB	1h
[407:402]	6	ERASE_TIMEOUT	16GB	Ch
			32GB	3h
			64GB	3h
[401:400]	2	ERASE_OFFSET	3h	
[399:396]	4	UHS_SPEED_GRADE	16GB/32GB/64GB	3h
[395:392]	4	UHS_AU_SIZE	16GB/32GB/64GB	9h
[391:384]	8	VIDEO_SPEED_CLASS	16GB/32GB/64GB	1Eh
[383:378]	6	Reserved	--	
[377:368]	10	VSC_AU_SIZE	16GB/32GB/64GB	8h
[367:346]	22	SUS_ADDR	0h	
[345:340]	6	Reserved	--	
[339:336]	4	APP_PERF_CLASS	16GB/32GB/64GB	2h
[335:328]	8	PERFORMANCE_ENHANCE	16GB/32GB/64GB	FFh
[327:314]	14	Reserved	--	
[313]	1	DISCARD_SUPPORT	16GB/32GB/64GB	1h
[312]	1	FULE_SUPPORT	16GB/32GB/64GB	1h
[311:0]	312	Reserved for manufacturer	--	

9 PART NUMBERS

Table 22: Part Numbering Information

Capacity	Part Number
16GB	KTUDAGP2AKIU1
32GB	KTUDBGP2AKIT1
64GB	KTUDCGP2AKIT1

9.1 Part Number Decoder



Disclaimer:

No part of this document may be copied or reproduced in any form or by any means, or transferred to any third party, without the prior written consent of an authorized representative of SMART Semiconductor. ("SMARTsemi"). The information in this document is subject to change without notice. SMARTsemi assumes no responsibility for any errors or omissions that may appear in this document, and disclaims responsibility for any consequences resulting from the use of the information set forth herein. SMARTsemi makes no commitments to update or to keep current information contained in this document. The products listed in this document are not suitable for use in applications such as, but not limited to, aircraft control systems, aerospace equipment, submarine cables, nuclear reactor control systems, and life support systems. Moreover, SMARTsemi does not recommend or approve the use of any of its products in life support devices or systems, or in any application where failure could result in injury or death. If a customer wishes to use SMARTsemi products in applications not intended by SMARTsemi, said customer must contact an authorized SMARTsemi representative to determine SMARTsemi's willingness to support a given application. The information set forth in this document does not convey any license under the copyrights, patent rights, trademarks, or other intellectual property rights claimed and owned by SMARTsemi. The information set forth in this document is considered to be "Proprietary" and "Confidential" property owned by SMARTsemi.

ALL PRODUCTS SOLD BY SMARTSEMI ARE COVERED BY THE PROVISIONS APPEARING IN SMARTSEMI'S TERMS AND CONDITIONS OF SALE ONLY, INCLUDING THE LIMITATIONS OF LIABILITY, WARRANTY, AND INFRINGEMENT PROVISIONS. SMARTSEMI MAKES NO WARRANTIES OF ANY KIND, EXPRESS, STATUTORY, IMPLIED, OR OTHERWISE, REGARDING INFORMATION SET FORTH HEREIN OR REGARDING THE FREEDOM OF THE DESCRIBED PRODUCTS FROM INTELLECTUAL PROPERTY INFRINGEMENT, AND EXPRESSLY DISCLAIMS ANY SUCH WARRANTIES INCLUDING WITHOUT LIMITATION ANY EXPRESS, STATUTORY, OR IMPLIED WARRANTIES OF MERCHANTABILITY OR FITNESS FOR A PARTICULAR PURPOSE.

©2024 SMART Semiconductor. All rights reserved.